

KENWOOD

SB-962

SERVICE BULLETIN AMATEUR RADIO

SUBJECT	DATE
TS-950SD EARLY PROTECTION WITH TL-922A	01/17/90

The TS-950SD RX to TX switching time in semi break-in is approximately 10mS. At key down, the transceiver momentarily sees an open circuit because the linear's keying relay has not engaged. As a result, the transceiver's protection circuit turns on, causing the output power to be reduced. The following modification will make the RX to TX switching time, in semi-break-in, approximately 30mS. This modification does not affect full break-in switching. Increasing the switching time to 30mS may restrict certain long distance high speed communications.

REQUIRED PARTS:

DIGITAL TRANSISTOR (QTY 2)	PART # DTC124ES
100K OHM, 1/4W RESISTOR	PART # RD14BB2E104J
2.2uF, 50V ELECTROLYTIC CAPACITOR	PART # CE04EW1H2R2M

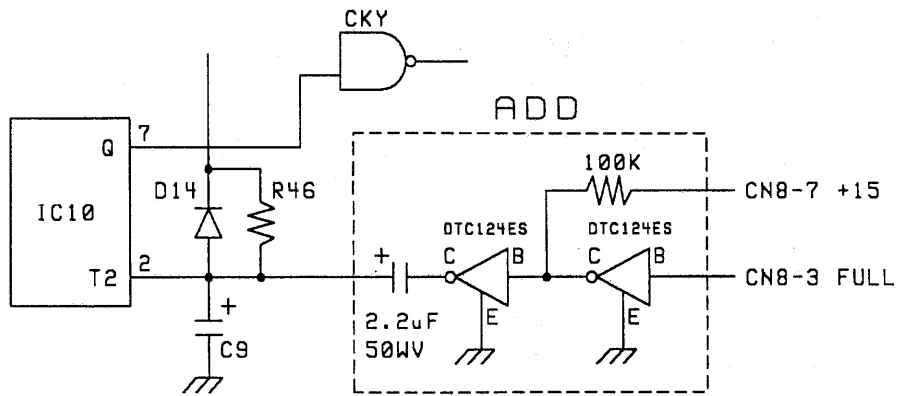
1. Disconnect the power cord and antenna.
2. Remove the top and bottom covers (18 screws).
3. Remove the top screw from each side of the front panel assembly.
4. Loosen the bottom screw on each side of the front panel assembly.
5. Pull the front panel assembly forward to expose the Digital and Control boards.
6. Remove the two screws that secure Control board B/3 to the top of the chassis and swing the board out of the way.
7. Remove the 4 screws from Control board A/3 and rotate the board down. Disconnect the right hand plugs as necessary to expose the foil side of the Control board.
8. Install the circuit shown in figure 1 on the foil side of Control Board A/3.
9. Assemble the transceiver by reversing steps 1 - 7.

PAGE 1 OF 2

This modification is covered under the 1 year warranty.
Time required to perform this modification is 1hr. or less. (C)12990EWP

KENWOOD U.S.A. CORPORATION

2201 EAST DOMINGUEZ STREET - LONG BEACH, CALIFORNIA 90810
MAILING: P.O. BOX 22745 - LONG BEACH, CALIFORNIA 90801-5745
TELEPHONE: (213) 639-9000



DTC124ES

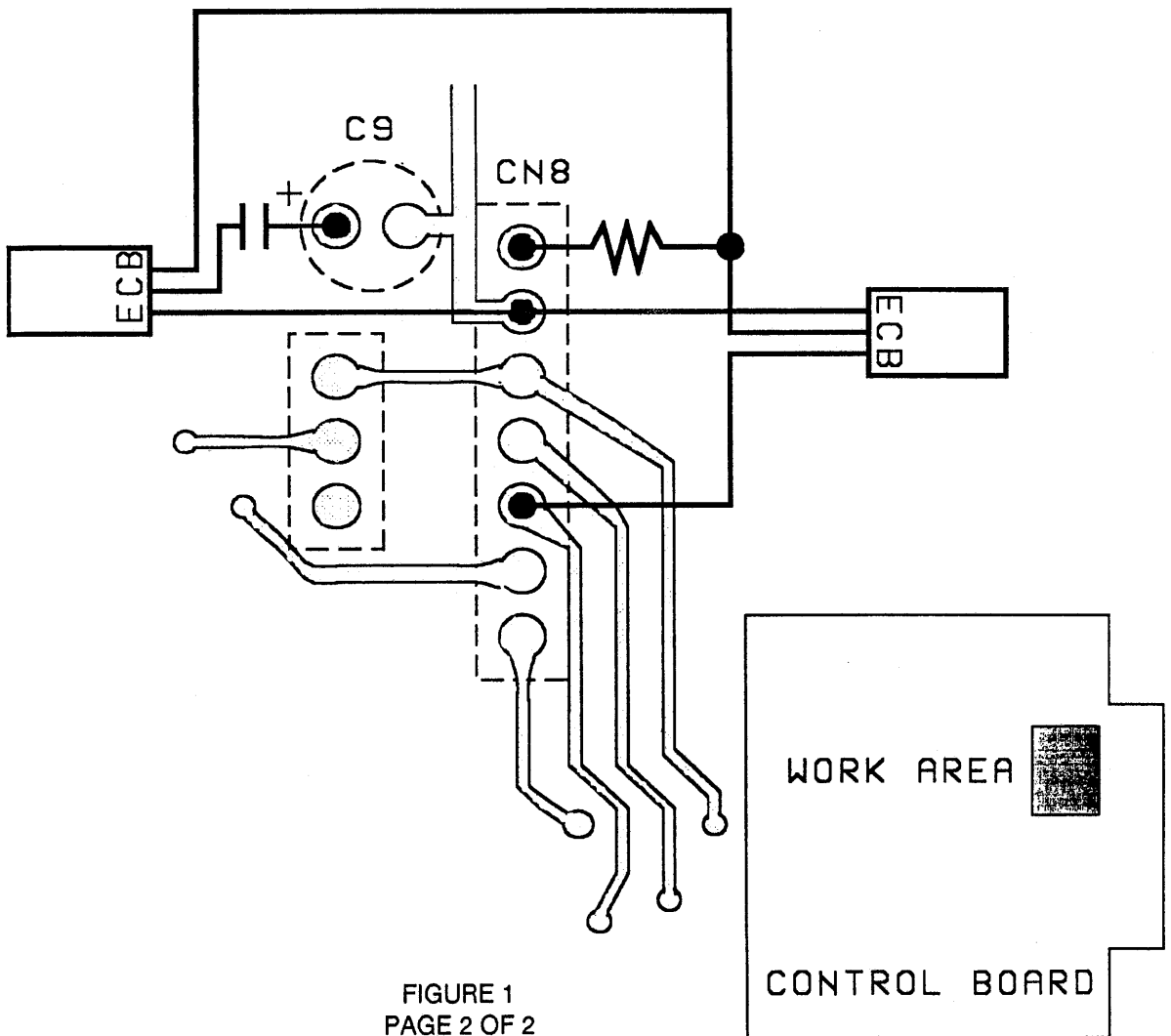
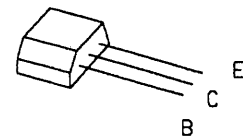


FIGURE 1
PAGE 2 OF 2