

KENWOOD

ASB-1024

Service Bulletin

Amateur Radio Division

Subject: TS-950S/SD Transmit Spur
1993

Date: May 27,

Symptom:

A transmitter spur might be present at a dial frequency of XX.XX1 MHz. This spur is quite small but might become noticeable when the transceiver is used with a linear amplifier.

Cause:

The transmitted signal enters pin 5 of IC11 which is in the last PLL loop in the AF unit due to RF feedback. This pin is the input for the 10 MHz Ref Osc signal from the CAR unit. IC11 is the source of the spurious signal since both the band and 10 MHz frequencies are divided by the 500 kHz comparison frequency supplied by IC11.

Corrective Action:

To reduce this RF feedback increase the Ref Osc level from .2V to .7V rms by adding the accompanying circuit to the input of IC11.

Parts Required:

Qty	Description	Kenwood Part No.	Circuit Description
1	12 uH Ferri-inductor	L40-1201-17	NA
1	10 pF Chip Cap	CC73FCH1H100J	NA
1	16 pF Chip Cap	CC73FCH1H160J	NA

Caution: This modification requires soldering equipment rated for CMOS type circuits. It also requires familiarity with surface mount soldering techniques. If you do not have the proper equipment or knowledge do not attempt this modification yourself. Seek qualified assistance.

Time required for this modification is 30 minutes or less.

Service code A:56 B:X49-3020 C:ADDC D:91

©52793 by CLM for Kenwood Service Corporation (E51-90-119)

Page 1 of 2

KENWOOD

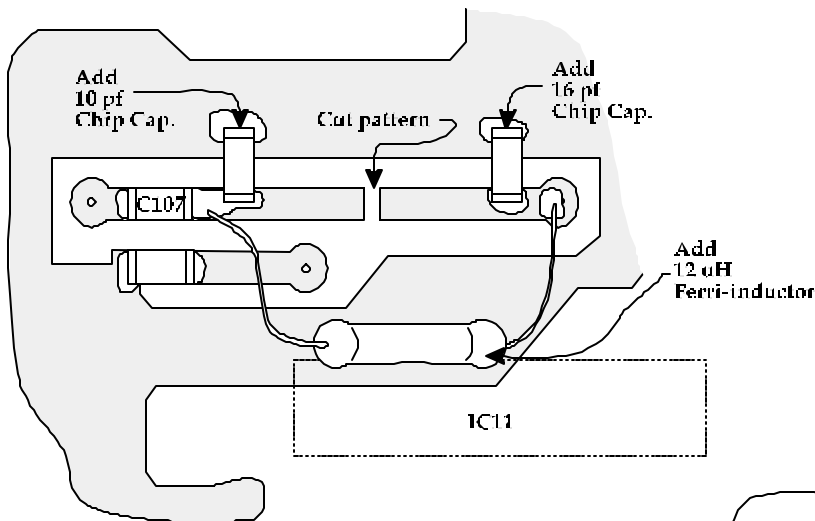
ASB-1024

Service Bulletin

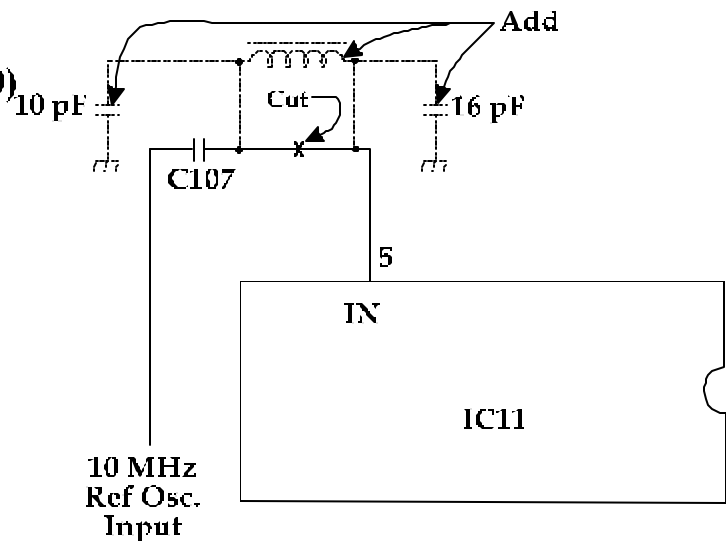
Amateur Radio Division

Subject: TS-950S/SD Transmit Spur
1993

Date: May 27,



**AF Unit (X49-3020-00)
Foil Side View**



Caution: This modification requires soldering equipment rated for CMOS type circuits. It also requires familiarity with surface mount soldering techniques. If you do not have the proper equipment or knowledge do not attempt this modification yourself. Seek qualified assistance.

Time required for this modification is 30 minutes or less.

Service code A:56 B:X49-3020 C:ADDC D:91